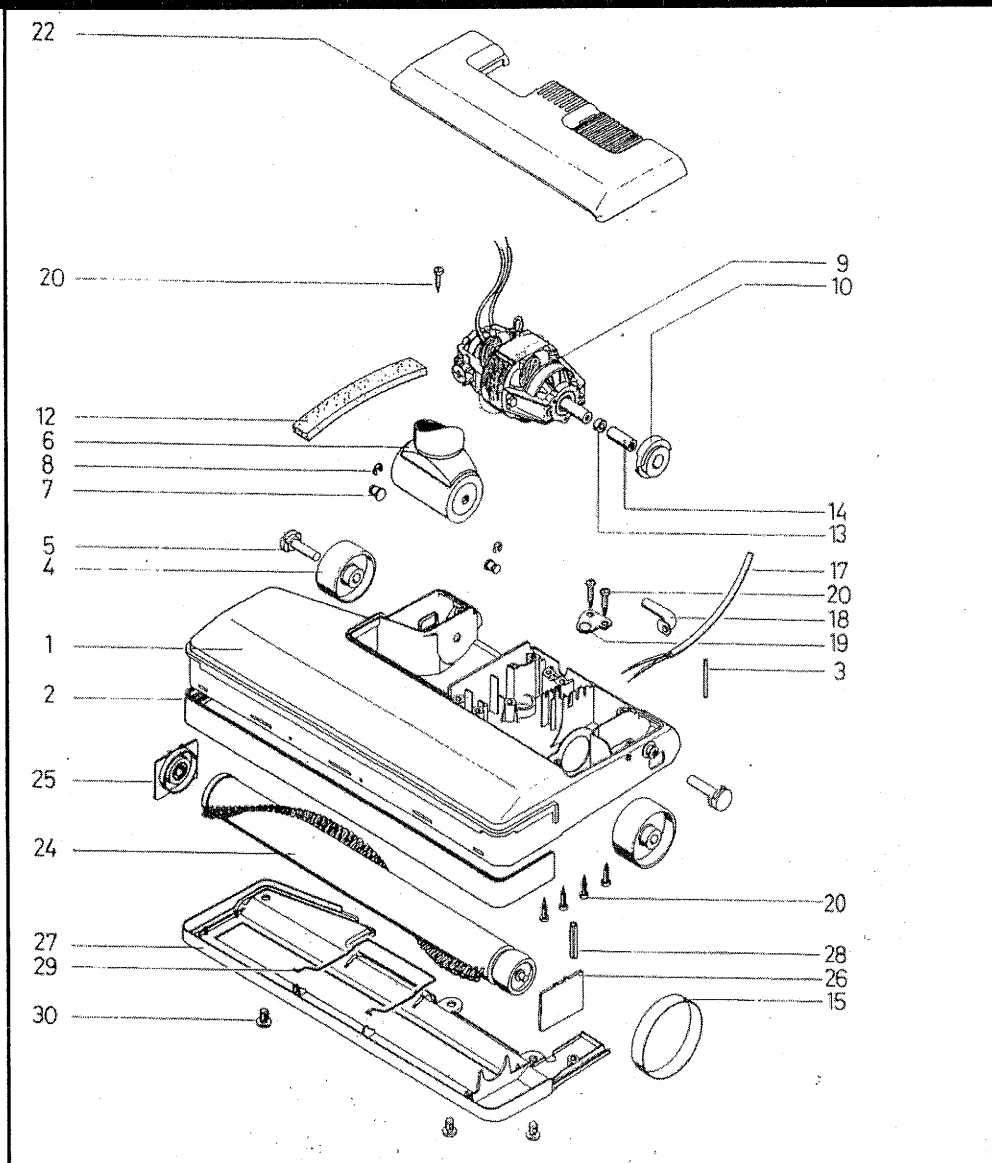


# FLOOR TOOLS

ESB109



ITEM	PART NUMBER	DESCRIPTION
1.	33100276	MAIN BODY
4.	33500129	WHEELS
5.	33500136	WHEEL AXLE
6.	31300037	32MM ELBOW
6.	31300015	35MM ELBOW
6.	31300188	38MM ELBOW
7.	33700738	COLLETT PIN
8.	33700789	CIRCLIP FOR PIN
9.	34400019	MOTOR
14.	33300056	PULLEY
15.	32100013	BELT
17.	33200065	ONE PIECE CORD
19.	33701451	CORD CLIP
24.	33700078	AGITATOR
25.	33700495	AGIT BEARING BUSH R/H
26.	33700498	AGIT BEARING BUSH L/H
27.	33700451	BOTTOM PLATE